

Load Cell Central

1-800-LOADCEL

Model: DLWS

- Wire rope clamp-on load cell
- Tension only
- Stainless steel
- IP67 environmental protection rating
- Capacities (t): 0.5, 1, 1.5, 2.5, 4, 8, 10

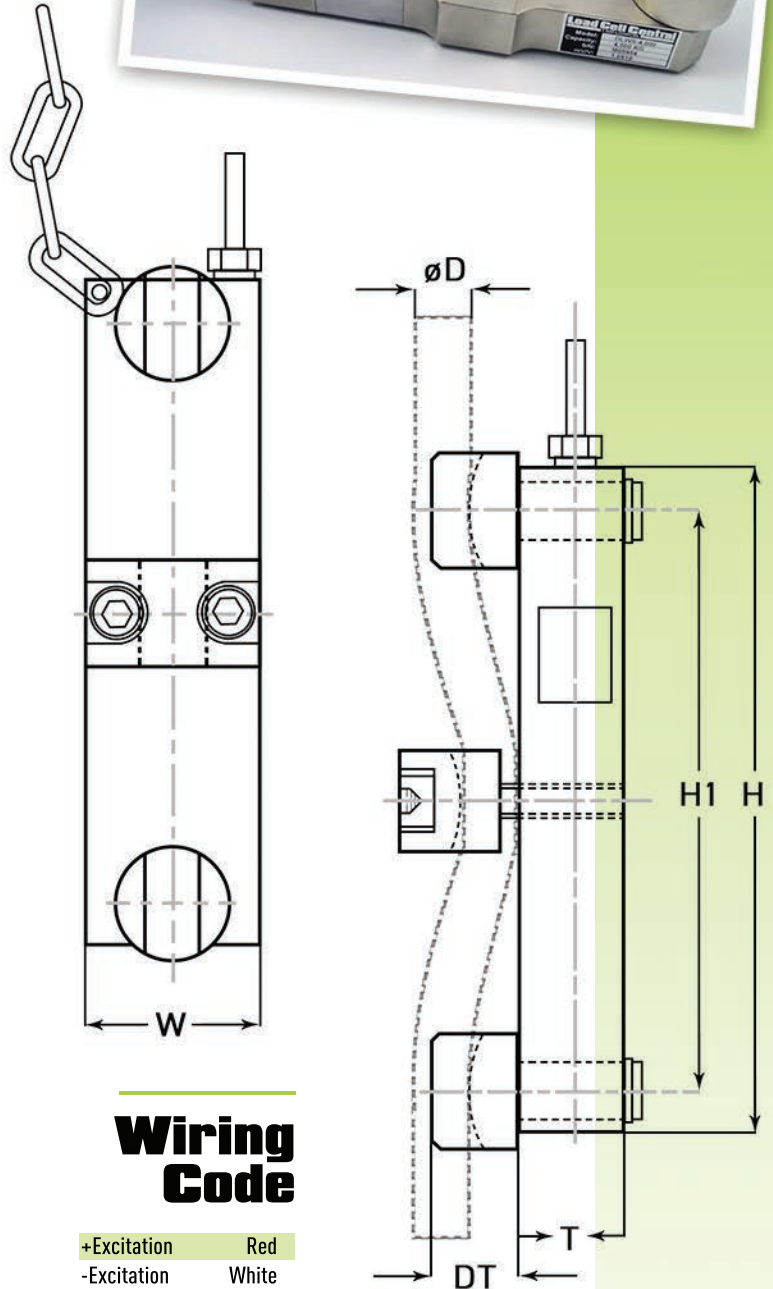
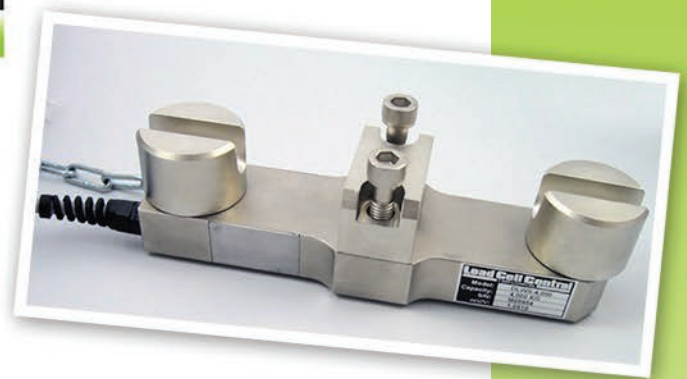
Specifications:

Full scale output	1.0 mV/V nom.
Combined error	≤ 1.0% FSO
Non-linearity	≤ 1.0% FSO
Hysteresis	≤ 1.0% FSO
Non-repeatability	≤ 1.0% FSO
Creep error	≤ 1.0% FSO in 30 min
Zero balance	≤ 1.0% FSO
Compensated temperature range	-10°C - 70°C (14°F - 158°F)
Operating temperature range	-20°C - 80°C (-4°F - 176°F)
Temperature effect on output	≤ 0.05% load / 10°C (18°F)
Temperature effect on zero	≤ 0.05% FSO / 10°C (18°F)
Input resistance	350 Ω ± 3.5 Ω
Output resistance	350 Ω ± 5 Ω
Insulation resistance	2,000 MΩ at 50 VDC
Recommended excitation	10 VDC (15 VDC Maximum)
Cable length	3 m (10 ft)
Safe overload	200% FS
Ultimate overload	400% FS
Material	Stainless steel

Dimensions:

Rated capacity (t)	Dimensions (mm)				W	øD wire rope	Item weight (kg)
	DT	H	H1	T			
0.5, 1	15.5	140	60	20	34	6 - 8	1.0
1.5	21	160	70	26	42	10 - 14	1.9
2.5	25	180	75	32	50	14 - 20	2.9
4	35	210	90	32	62	18 - 28	5.2
8, 10	45	260	100	44	88	25 - 35.5	12.0

Rated Capacity: max load per wire rope



Wiring Code

+Excitation	Red
-Excitation	White
+Signal	Green
-Signal	Blue
+Sense	N/A
-Sense	N/A

Load Cell Central follows a policy of continuous improvement and reserves the right to change specifications without notice. ©2020 RDR Technology, Inc.

Load Cell Central
28175 Route 220
Milan, PA 18831

Web: www.800loadcel.com
Email: sales@800loadcel.com

Toll Free: 1-800-562-3235
Phone: 1-570-731-7048
Fax: 1-570-731-7054